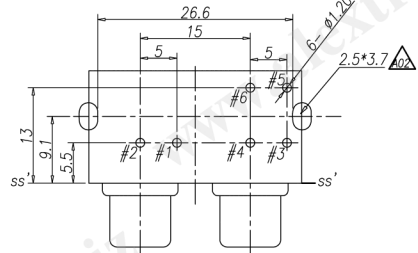
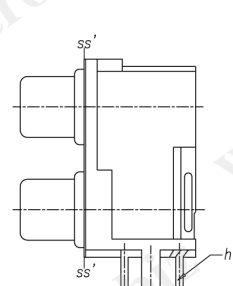
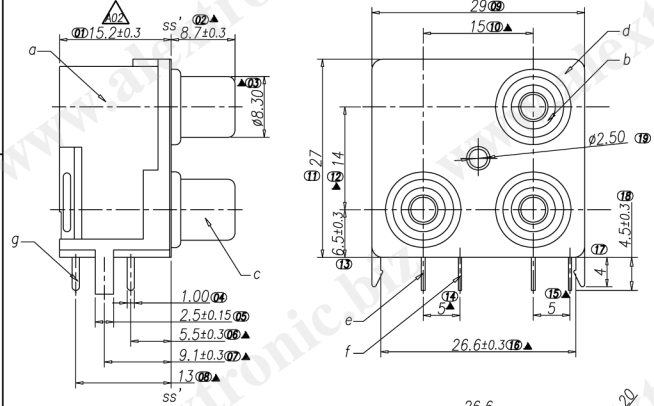


CATEGORY	DESCRIPTION	P/N #
CONNECTOR	RCA Jack, 2*2-1 Ports, R/A, T/H, With Shielding, Top Screw Hole*1	RJ019R-22A40-XX00

△A02 料號由2RJ22R-JA80-XX
變更為RJ019R-22A40-XX00

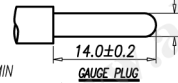
REV.	ECN NO.	DESCRIPTION	REVISED	DATE
A1				2006.08.17
A02	ECN100308001	變型規格, 變材料	Luguan	2010.03.08



Recommend PCB Layout
(Jack Top View)
Tolerance: ±0.05mm
Recommend PCB Thickness: 1.6mm

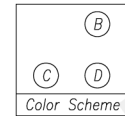
SPECIFICATION

1. Voltage and Current Rating: 12V & 1A
2. Contact resistance: 30mΩ MAX
3. Insulation resistance: 100MΩ MIN @ DC500V
4. Withstand voltage: 500VAC for 1min
5. Insertion Force: 3Kgf MAX
6. Extraction Force: 0.3Kgf MIN
7. Withdraw Force for Center Contact: 0.08Kgf MIN
(Use a OD=3.2±0.005mm, Length=14±0.2mm Gauge Plug)
8. Terminal Strength: The terminal shall be capable of withstanding a force of 3Kgf applied in any direction for 0.5 secs without losing and breakdown
9. Life test: 1,500 cycles
10. Temperature Range: -25°C~70°C
11. To conform with the "QC-03-045" & "RoHS DIRECTIVE"
12. Solder heat resistance: wave soldering 260°c 5 secs
13. ▲'is important dimensions



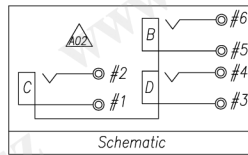
RJ019R-22A40-XX00

See Color Scheme
Material & Plating
表示塞孔



Washer P/N#

TABLE 1	White	1HS-RJWASH-P4
Yellow	1HS-RJWASH-P5	
Red	1HS-RJWASH-P1	



Color Scheme

XX	Housing	A	B	C	D
32	Black	White	Yellow	Red	
30	Black	Red	Yellow	White	

h	Terminal #5	1	1TM-RJ1905-00	Brass, T=0.4mm(C2680)	CuSn Plating(80u"~120u")
g	Terminal #6	1	1TM-RJ1904-00	Brass, T=0.5mm(C2680)	CuSn Plating(80u"~120u")
f	Terminal #1,3	2	1TM-RJ1902-00 (共用料)	Brass, T=0.4mm(C2680)	CuSn Plating(80u"~120u")
e	Terminal #2,4	2	1TM-RJ1941-00	Brass, T=0.5mm(C2680)	CuSn Plating(80u"~120u")
d	Shielding Plate	1	1SH-RJ19A1-00	Brass, T=0.2mm(C2680)	CuSn Plating(80u"~120u")
c	Outer Contact	3	1SH-RJ1902-00 (共用料)	Brass, T=0.4mm(C2680)	CuSn Plating(80u"~120u")
b	Washer	3	See Table 1	PBT4130 UL94V-0	See Color Scheme
a	Housing	1	1HS-RJ19A1-00	ABS777D UL94-HB	See Color Scheme

UNLESS OTHERWISE SPECIFIED TOLERANCES:
 DECIMALS: X ±0.3
 X.X ±0.2
 X.XX ±0.1
 X.XXX ±0.05
 ANGLES: X ±1°
 X.X ±0.5°

Product Drawing
ALEXTRONIC

SCALE: 1/1 UNIT: mm DWG. NO: WI-061-845
 SIZE: A3 PAGE: 1 OF 1 REV: A02

APPROVED BY: XZQ CHECKED BY: PJ PREPARED BY: Luguan

ENGINEERING COPY